

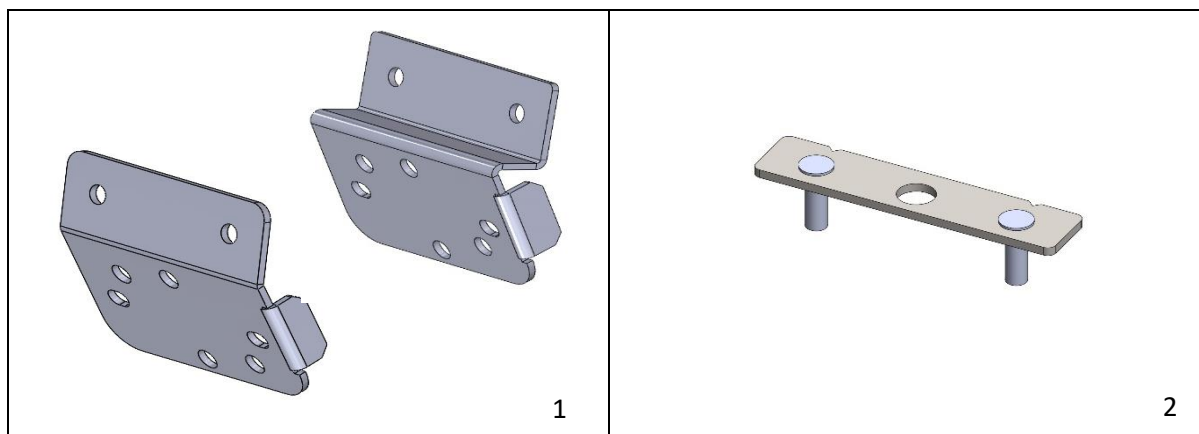
PRODUCT- JBA YAKIMA ROK9 MOUNTING BRACKET

PART NUMBER- JB-LB121/122

ESTIMATED FIT TIME- 30 MINS

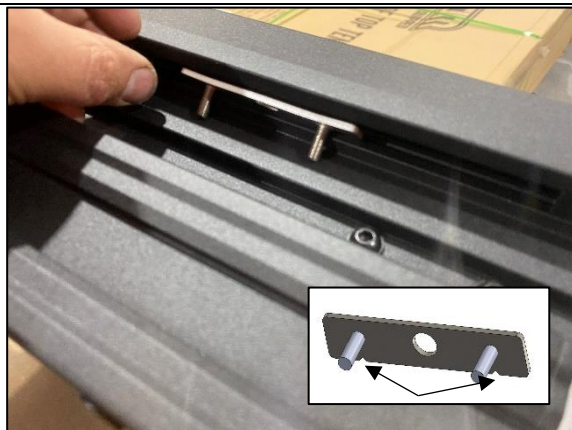
IMPORTANT NOTES

- READ INSTRUCTIONS CAREFULLY PRIOR TO FITMENT
- IT IS RECOMMENDED TO REMOVE THE RACK FROM THE VEHICLE TO MAKE INSTALLATION EASIER

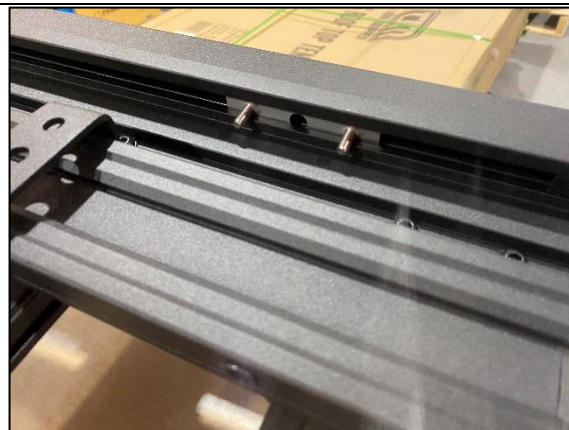


KIT CONTENTS

ITEM	DESCRIPTION	PART NO.	QTY
1	FLUSH MOUNT BACKBONE ROK9 BRACKET	10-LB121/122A	1
2	ROK9 STUD PLATE	10-LB121B	1
3	M5 X 10 X 0.8MM FLAT WASHER GR 304 S/S	X80 5100.8304	4
4	M5 NYLON INSERT LOCK NUT GR 304S/S	X53 5304	4
5	M5 X 16MM PAN HD PHIL M/T GR 304 S/S	X37 0516PP304	2



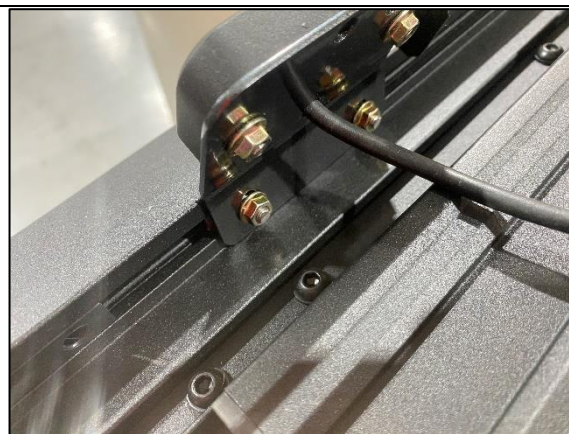
STEP 1- SELECT MOUNTING POSITION (NORMALLY EVEN DISTANCE FROM EACH END) INSERT STUD PLATE INTO CHANNEL INSERTING THE SIDE OF THE STUD PLATE WITH 2 X NOTCHES INTO CHANNEL FIRST AS SHOWN.



STEP 2- THEN PUSH THE TOP FLAT SIDE ALL THE WAY INTO THE CHANNEL AS SHOWN.



STEP 3- INSTALL THE ROK9 LIGHT ON TO THE BRACKET USING M5 X 16 SCREWS WITH M5 WASHER AND NUT ON THE BACK.



STEP 4- MOUNT THE JBA-LB121/122A BRACKET ON THE STUD PLATE USING M5 NYLOC AND WASHER AS SHOWN.